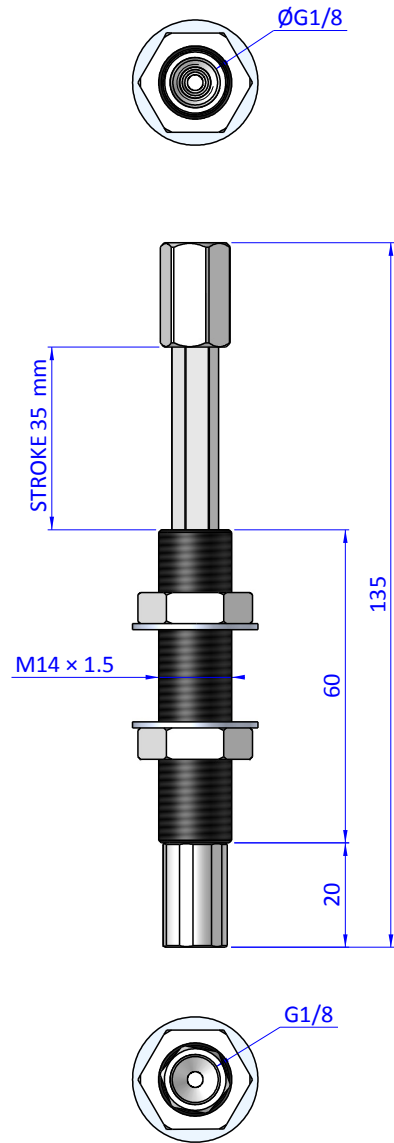
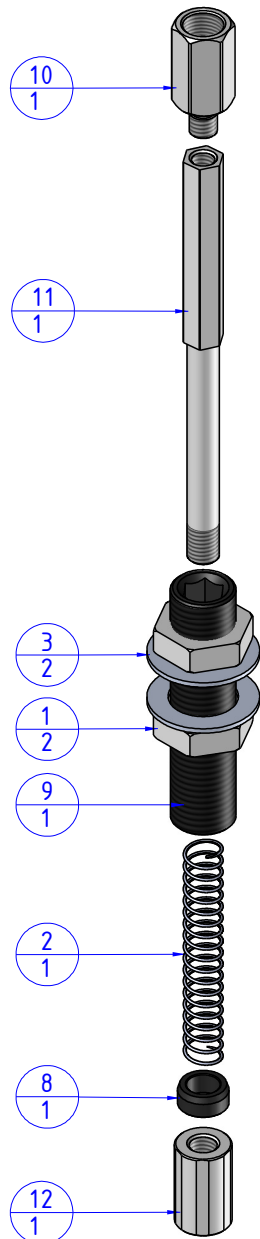


THE PROPERTY OF THE DRAWING IS ESTABLISHED BY LAW. IT IS FORBIDDEN TO PRODUCE OR SHOW IT TO THIRD PARTY, WITHOUT A WRITTEN AGREEMENT.

Object Number	Name	QTY
1	05.01.001.06	2
2	M.8.5X48.50.1	1
3	R.14.SCH	2
8	VSN.1420.3	1
9	VSNG.1435.2.1	1
10	VSN.14.2	1
11	VSN.1435.4	1
12	VSN.14.1	1



Format A3  
UNI 936-76

		DESIGNED FROM	REVIEW
		FP SERVICES	A
GENERAL TOLERANCE	DESCRIPTION	DATE	WEIGHT
UNI - ISO 2768	CA.SDNG.1435	11/02/2019	0,042kg
CLASSE f		CODE	CA.SDNG.1435